

Carrot 3 XL



Up to 180 cm and 40 to 75 kg

Children grow and gain weight. That's how it should be. With the Carrot 3 XL a further step has been made to give more growing children a grow-along car seat. It can be used up to approximately 176 cm body height and has been successfully tested with a 75 kg dummy.

If you already have a Carrot 3, you only need an XL kit. It consists of:

- A flat, wider seat,
- Two long connecting pipes to connect the seat and the existing back,
- An H-belt for positioning the user,
- A belt to fix the Carrot 3 XL to the back of the car's seat

If you don't have a carrot 3, you can use the XL set as shown in the big picture. It consists of:

- A XL kit as described above,
- A Carrot 3 back part
- A large headrest, that absorbs energy in the event of a side impact,
- A shoulder protection wing, which gives also lateral support and protection,
- A 50 mm back extension cushion. (Additional pads may be used to close up to 20 cm.)

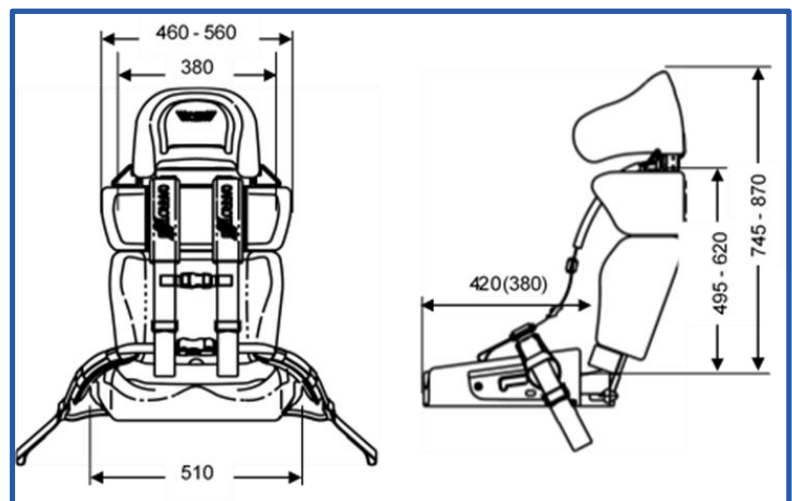
Accessories

- Supporting table
- Back extension cushions 50 or 100 mm
- Triangle mat
- Two-point lap belt
- Air cushion of spacer fabric, reduces transpiration
- Incontinence covers

- Trunk supports, fixed, height and width adjustable
- 3D-Trunk supports from foam, Velcro connected
- Seat belt buckle for users who open the buckle thoughtlessly while driving (see bottom of page 2)
- Footrest mount incl. ISOFIX connection- crotch belt



Carrot 3 size XL



Modular growth:



Set S

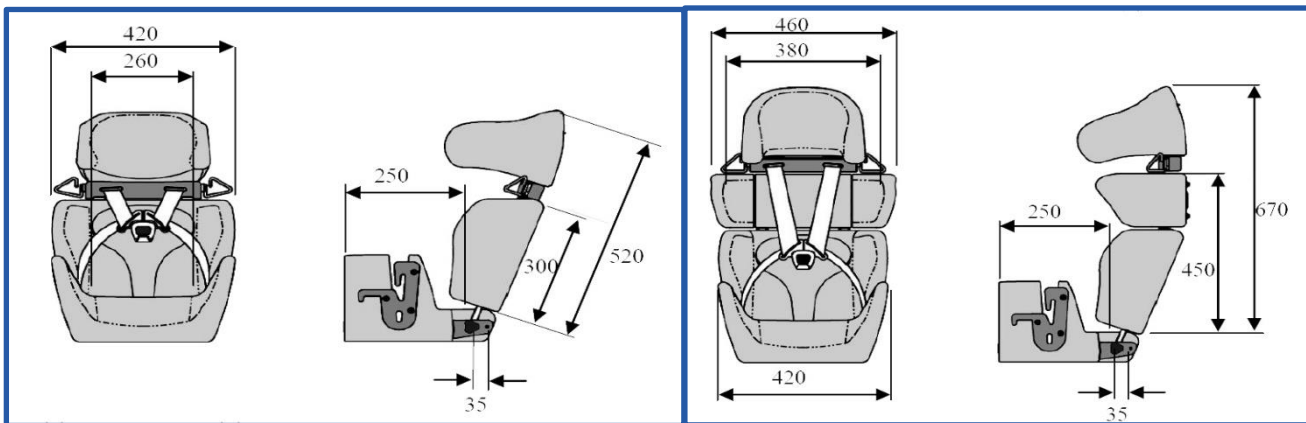


Shoulder protection wing (150 mm)

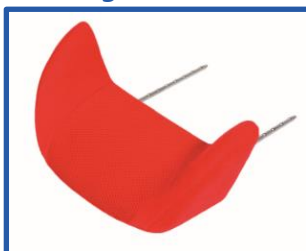


Set L
(here with 50 mm rodded seat extension S)

Measurements in mm:



Growing modules:



Rodded seat extension L



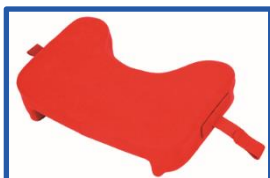
Rodded seat extension S
50 mm



Seat extension
50 + 100 mm



Back rest extension
50 mm + 100 mm



Supporting table



Seat angle adjuster mat



Anti-escape buckle



Foot rest S, M, L



with Trunk support and Pommel



with Multiroller

When the child grows – the Carrot grows, too.



Examples for configurations:

Set S without shoulder protection wing



with rod seat extension L
Seat depth real: 430 mm



basic set with grey pads
seat depth real: 250 mm



with 50 mm rod seat extension S,
50 mm backrest extension
Seat depth real: 300 mm



with rod seat extension S,
50 mm seat extension,
and 100 mm Backrest extension
Seat depth real: 350 mm

Basic set

- Seat and 100 mm height adjustable back
- Depth of head rest adjustable
- Five-point-belt with quick release fastener
- Padded chest shield
- Integrated arm rests
- Belt guide (left and right)
- Seat depth adjustable 35 mm Set of grey pads included of headrest pads, one pair of trunk pads, a pair of seat balance pads and seat cushions
- All pads are to fix on the cover with Velcro

Colors

- blue
- black
- red

Accessories

- Rodded seat extension L
- Rodded seat extension S, 50 mm
- Seat extension 50 mm
- Seat extension 100 mm
- Seat angle adjuster mat
- Foot rest, height-adjustable, Velcro adjustment 250 mm for lower legs and feet in three sizes (S, M, L)
- Supporting table
- Pommel
- Trunk support pads
- ISO-Base with ISOFIX-connection
- ISO-Turn, turntable with ISOFIX-connection
- Backrest extension 50 mm and 100 mm
- Stronger buckle from 40 Nm to 80 Nm
- Anti-escape buckle
- Anti-escape-vest

Type approval

According ECE-044 04 by the Kraftfahrtbundesamt, No. 04301283, 15-36 kg. Successfully tested with a 10 and a 49 kg-dummy, too.

Set L with shoulder protection wing



35 mm seat adjustment
seat depth: 285 mm



with 50 mm rod seat extension S,
seat depth real: 335 mm



with 50 mm rod seat extension S,
50 mm backrest extension
Seat depth real: 335 mm



with rod seat extension S,
50 mm seat extension,
and 100 mm Backrest extension
Seat depth real: 350 mm

Carrot 3



Car seat for children

The car seat Carrot 3 is a most comfortable seat for children and young people starting with an age of approximately two years.

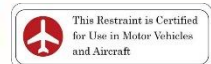
Special benefits of this seat are:

Seat shell

The seat shell offers lots of advantages in an attractive form. The Carrot 3 provides lateral support for children with a reduced muscle control in the head, chest, hip and upper leg area. The 5-point-belt with its broad chest cushion gives additional positioning help. Trunk supports and an abduction block may give additional support. The small grey support cushions can be used anywhere in this seat because they may be fixed by a Velcro compatibility to every part of the seat cover.

Flexible growth with the child

Small children may rest their lower legs and feet on the attached cushion. As needed, a footrest, which is height adjustable, can be added for additional support. During the child's growing, the seat depth and the height of the back rest can be increased remarkably up to a user height of 160 cm. Afterwards you can upgrade with the Carrot 3 XL- Kit, which allows a user height of 176 cm (see page 4). There is no comparable seat that can offer this spectrum of flexibility with the growth of the child.



Approval for use in aircraft
(does not apply to Carrot 3 XL)



Carrot 3 size S



Carrot 3 size L



Carrot 3 size XL (s. page 4)

Lightweight

The Carrot 3 weighs only 8 kg, which is an advantage when seats are often moved from one car to the other or into a rolling base.

Beautiful

The fact that the Carrot 3 is also beautiful is certainly no disadvantage.

Data

Seat depth: 250-410 mm, Height of back: 520-770 mm, Height of foot rest: 250-460 mm, Weight of car seat: approx. 8 kg, Weight of person: approx. 10-50 kg

The Carrot 3 has been tested according the ECE R44/04 and got the approvals for class II and III (15-36 kg). This norm does not deal with children with a weight of more than 36 kg. But the Carrot 3 has been produced for disabled people up to 50 kg and it has been successfully tested with a 49 kg dummy. Similar to the norm it has been tested with a 10 kg dummy, too, because it can be used for children with less than 15 kg. In Germany and other European countries it is allowed to use the Carrot with body weights from 10 to 15 kg and 36 to 50 kg, if a doctor's certificate attests that a disabled person may use the Carrot outside the 15 to 36 kg range.

Issue 01/2023